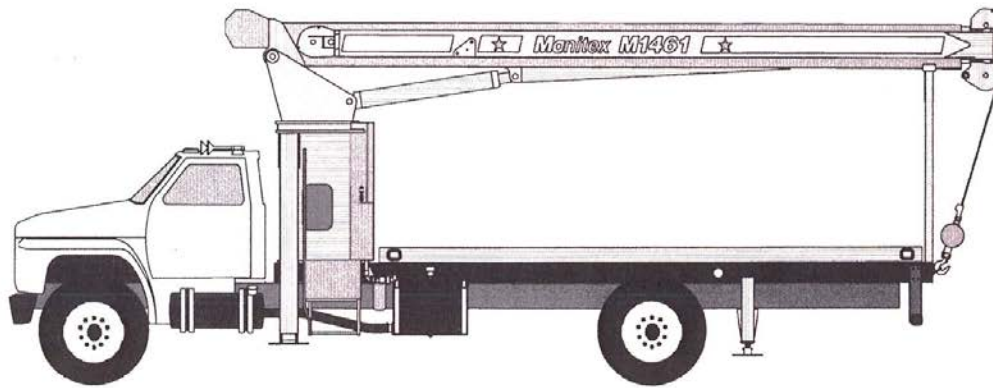


To learn more about this model, call 414-764-9200 or visit giuffre.com today!



Millennium Series™ M1400 General Specifications



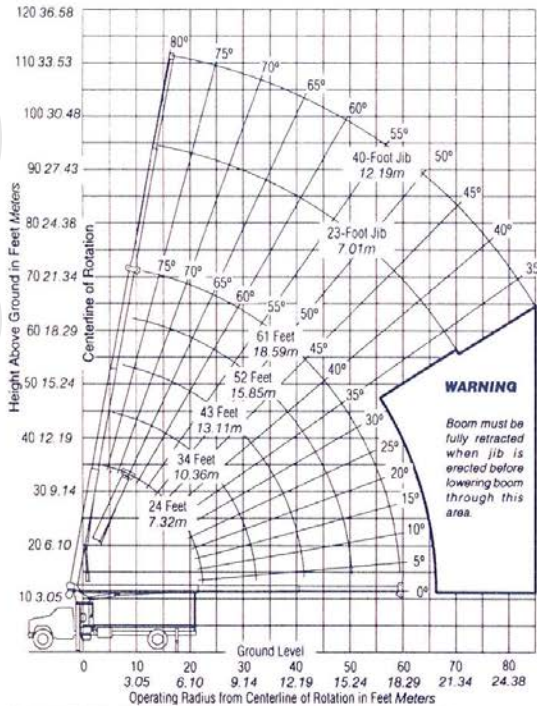
Model shown is M1461 with optional jib and H-frame stabilizers.

STANDARD EQUIPMENT

- 3-Section telescopic boom,
M1461 - 24' to 61' (7.32m to 18.59m).
M1440 - 17' to 40' (5.18m to 12.19m).
- 2-Speed planetary hoist.
- 5-Ton (4.5-mt) hook and ball.
- 2-Sheave boom point.
- Anti-two block shutoff.
- Boom hoist cylinder.
- System pressure gauge.
- 70-Gallon (265-liter) hydraulic reservoir.
- Removable boom rest.
- Finish paint in Manitex colors.
- Engine start/stop.
- Operator/Service/Parts manuals.
- 235' (71.63m) of 1/2" (12.7mm) EIPS IWRC wire rope.
- 372° Non-continuous rotation.
- Pedestal, turret, rotation bearing and swing system.
- Dual operator control stations.
- Hydraulic capacity alert warning system (HYCAS) - audio.
- Audible outrigger/stabilizer motion alarm.
- A-frame link type outriggers.
- A-frame rear stabilizers.
- 3-Section vane-type hydraulic pump.
- Signal horn.
- 18' (5.49m) Subframe.

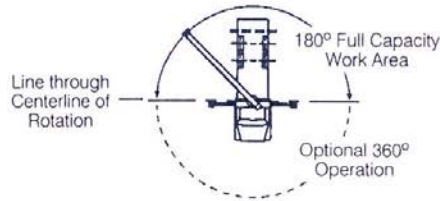
GIUFFRE.COM

M1461 RANGE DIAGRAM

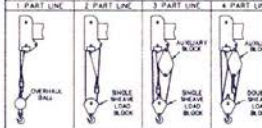


MODEL M1461

AREA OF OPERATION



ALLOWABLE LINE PULL



WARNING

Anti-Two-Block system must be in good operating condition before operating crane. Refer to Owner's Manual. Keep at least three wraps on load line on drum at all times.

1 PART LINE	2 PART LINE	3 PART LINE	4 PART LINE
7600 lb 3447 kg	15200 lb 6895 kg	22800 lb 10342 kg	28000 lb 12701 kg
7400 lb 3357 kg	14800 lb 6713 kg	22200 lb 10070 kg	28000 lb 12701 kg

1/2" (12.7mm) or 3/4" (19.0mm) 6x25 WRC (5.0:1 SF) 28,600 lb (12,066 kg) Minimum breaking strength.
 3/4" (19.0mm) Rotation resistant (5.0:1 SF) 37,000 lb (16,783 kg) Minimum breaking strength.

WEIGHTS

- Total crane, including hydraulic fluid 12,650 lb 5,738 kg
- 23' (7.01m) Fixed length jib 545 lb 247 kg
- 40' (12.19m) Telescopic jib 820 lb 372 kg
- 15-Ton (13.6-mt) single-sheave block 260 lb 118 kg
- Hanger sheave for 3- and 4-part line 50 lb 23 kg
- 18' (5.49m) Steel or wood bed 1,800 lb 817 kg
- 20'4" (6.20m) Steel or wood bed 1,900 lb 862 kg

DEDUCTIONS

Hanger Sheave	50 lb	23 kg
Overhaul Ball	120 lb	54 kg
Single Sheave Load Block	260 lb	118 kg
Double-Sheave Load Block	350 lb	159 kg
Hose Reel	190 lb	86 kg

Swing-Around Jib - Stowed See Load Rating Chart

WARNING

Lifting off the main boom point while the swing-around jib is erected is not intended or approved.

M1461 LOAD RATING CHART

Meets ANSI B30.5 Requirements

Operating Radius	BOOM LOAD RATINGS										JIB LOAD RATINGS							
	24 Feet 7.32 Meters		34 Feet 10.36 Meters		43 Feet 13.11 Meters		52 Feet 15.85 Meters		61 Feet 18.59 Meters		23 Foot 7.01 Meters		40 Foot 12.19 Meters					
Feet	Meters	∠	lb	kg	∠	lb	kg	∠	lb	kg	∠	lb	kg	∠	lb	kg		
5	1.52	76°	28,000	12,701														
8	2.44	69°	19,500	8,845	76°	18,100	8,210	79°	14,460	6,559								
10	3.05	63°	16,400	7,439	72°	15,230	6,908	76°	12,090	5,484	79°	11,390	5,166					
12	3.66	58°	14,130	6,409	68°	13,180	5,978	74°	10,390	4,713	77°	9,810	4,450	79°	9,000	4,082		
15	4.57	49°	11,570	5,248	63°	10,920	4,953	69°	8,570	3,837	74°	8,150	3,697	77°	7,700	3,493		
20	6.10	28°	8,100	3,674	53°	8,410	3,815	62°	6,600	2,994	68°	6,290	2,853	72°	6,000	2,722		
25	7.62				41°	6,620	3,003	54°	5,280	2,395	61°	5,060	2,295	67°	4,820	2,186		
30	9.14				24°	4,840	2,195	45°	4,280	1,911	55°	4,170	1,891	61°	4,000	1,814		
35	10.67							34°	3,390	1,538	48°	3,470	1,574	56°	3,370	1,529		
40	12.19							17°	2,270	1,030	39°	2,860	1,297	50°	2,850	1,293		
45	13.72										29°	2,250	1,021	43°	2,400	1,089		
50	15.24								10°	1,210	548	35°	1,980	898	54°	1,290	585	
55	16.76											24°	1,490	676	50°	1,100	499	
60	18.29														45°	930	422	
65	19.81														40°	780	354	
70	21.34														34°	640	290	
75	22.86															44°	610	277
80	24.38															39°	520	236
85	25.91															34°	440	200
7300047-001			450	204	320	145	250	113	210	95	180	82						

Do not operate crane or accessories within 10' (3.05m) of live power lines.

Deductions for stowed jib



AVAILABLE AT:

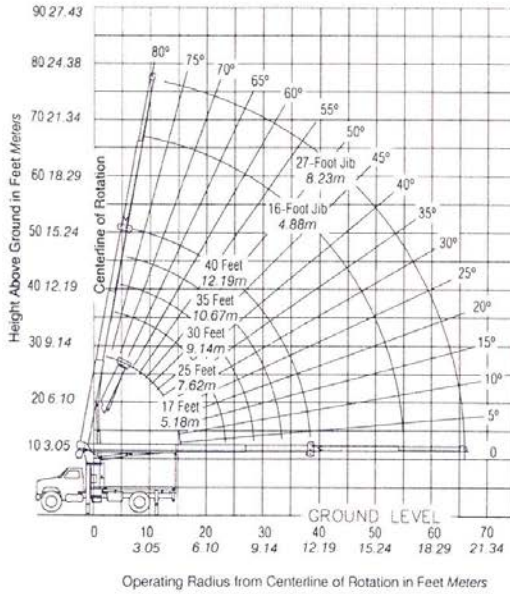
GIUFFRE.COM

GIUFFRE BROS CRANES INC.

To learn more about this model, call 414-764-9200 or visit giuffre.com today!

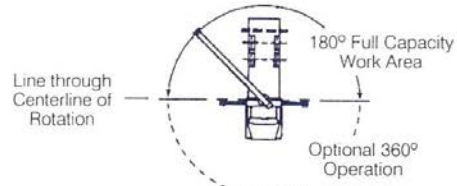
GIUFFRE.COM

M1440 RANGE DIAGRAM



MODEL M1440

AREA OF OPERATION



ALLOWABLE LINE PULL				WARNING
1 PART LINE	2 PART LINE	3 PART LINE	4 PART LINE	
				Anti-Two-Block system must be in good operating condition before operating crane. Refer to Owner's Manual. Keep at least three wraps on load line on drum at all times.
7600 lb 3477 kg	15200 lb 6895 kg	22800 lb 10342 kg	28000 lb 12701 kg	
7400 lb 3357 kg	14800 lb 6713 kg	22200 lb 10070 kg	28000 lb 12701 kg	1/2" (12.7mm) or 3/8" (9.5mm) 6 x 25 MANC (3.5 1 SF) 26500 LB (12066 kg) Minimum breaking strength. 3/4" (19.0mm) Rot resistant (5 0.1 SF) 37000 lb (16783 kg) Minimum breaking strength.

WEIGHTS

Total crane, including hydraulic fluid	11 660 lb	5 289 kg
16' (4.88m) Fixed length jib	340 lb	154 kg
27' (8.23m) Telescopic jib	590 lb	268 kg
15-Ton (13.6-mt) single-sheave block	260 lb	118 kg
Hanger sheave for 3- and 4-part line	50 lb	23 kg
18' (5.49m) Steel or wood bed	1 800 lb	817 kg
20'4" (6.20m) Steel or wood bed	1 900 lb	862 kg

DEDUCTIONS

Hanger Sheave	50 lb	23 kg
Overhaul Ball	120 lb	54 kg
Single Sheave Load Block	260 lb	118 kg
Double-Sheave Load Block	350 lb	159 kg
Hose Reel	190 lb	86 kg

Swing-Around Jib - Stowed..... See Load Rating Chart

WARNING

Lifting off the main boom point while the swing-around jib is erected is not intended or approved.

Outriggers and stabilizers fully extended and machine level

M1440 LOAD RATING CHART

Meets ANSI B30.5 Requirements

Operating Radius	BOOM LOAD RATINGS										JIB LOAD RATINGS					
	17 Feet 5.18 Meters		25 Feet 7.62 Meters		30 Feet 9.14 Meters		35 Feet 10.67 Meters		40 Feet 12.19 Meters		16 Foot 4.88 Meters			27 Foot 8.23 Meters		
	Feet	Meters	lb	kg	lb	kg	lb	kg	lb	kg	lb	kg	lb	kg	lb	kg
5	1.52	70°	28,000	12,701												
8	2.44	59°	21,180	9,607	70°	18,800	8,528	73°	15,910	7,217	76°	15,340	6,958	78°	14,920	6,768
10	3.05	50°	17,770	8,000	65°	16,640	7,548	69°	13,450	6,101	73°	12,970	5,883	75°	12,560	5,697
12	3.66	40°	15,010	6,808	59°	14,450	6,554	65°	11,640	5,280	69°	11,230	5,094	72°	10,870	4,931
15	4.57	17°	10,270	4,658	51°	11,980	5,434	59°	9,680	4,391	64°	9,360	4,246	68°	9,060	4,110
20	6.10				33°	8,810	3,996	46°	7,440	3,375	54°	7,300	3,311	60°	7,100	3,221
25	7.62							30°	5,810	2,645	43°	5,820	2,643	51°	5,780	2,613
30	9.14										28°	4,470	2,028	40°	4,710	2,136
35	10.67												26°	3,660	1,660	
40	12.19															
45	13.72															
50	15.24															
55	16.76															
60	18.29															
65	19.81															
7300047-002			330	150		230	104		190	86		160	73		140	64

This capacity chart is for reference use only and must not be used for a specific serial number crane.

Main boom load ratings shown are based on machine structural competence and do not exceed 85% of tipping.

Do not operate crane or accessories within 10' (3.05m) of live power lines.

Deductions for stowed jib



AVAILABLE AT:

GIUFFRE.COM

GIUFFRE BROS CRANES INC.

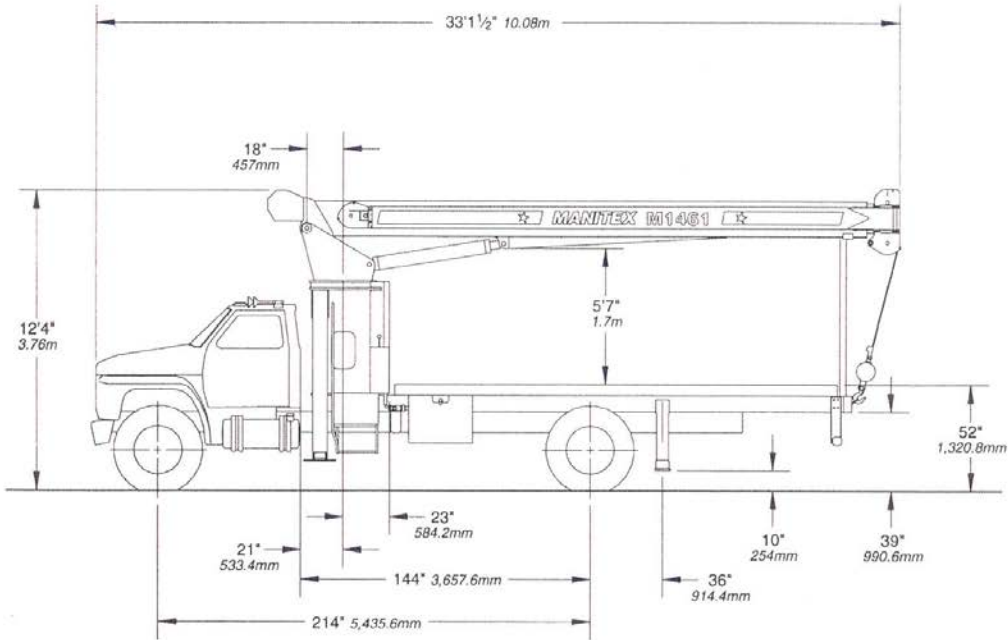
6635 SOUTH 13TH ST. - MILWAUKEE, WI 53221

414-764-9200 • 877-321-3710

To learn more about this model, call 414-764-9200 or visit giuffre.com today!

GIUFFRE.COM

M1400 OUTLINE DIMENSIONS



These dimensions are general, not for engineering. Some dimensions depend on truck selection. Dimensions shown on this page apply to both the M1461 and M1440 models.

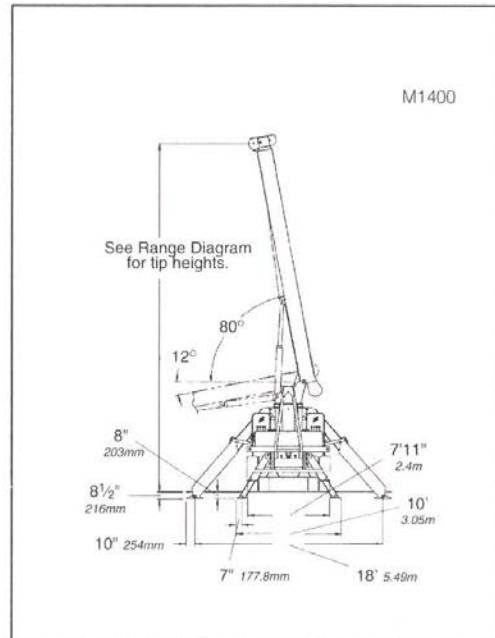
TRUCK CHASSIS DATA

Minimum Requirements for M1400 Series

Some configurations and options may increase requirements.

Wheelbase	214 In	5,436mm
Cab to Axle	144 In	3,658mm
Frame Section Modulus	50,000 psj	344,750 kPa
18 In ³	295cc	
Frame Section Modulus	110,000 psj	758,450 kPa
13 In ³	213cc	
Nominal Frame Width	34 In	864mm
Front Axle Weight Rating	12,000 lb	5,443.11 kg
Rear Axle Weight Rating	17,500 lb	7,937.87 kg

Check with factory for tractor mount requirements.



AVAILABLE AT:

GIUFFRE.COM

GIUFFRE BROS CRANES INC.

6635 SOUTH 13TH ST. - MILWAUKEE, WI 53221
414-764-9200 • 877-321-3710