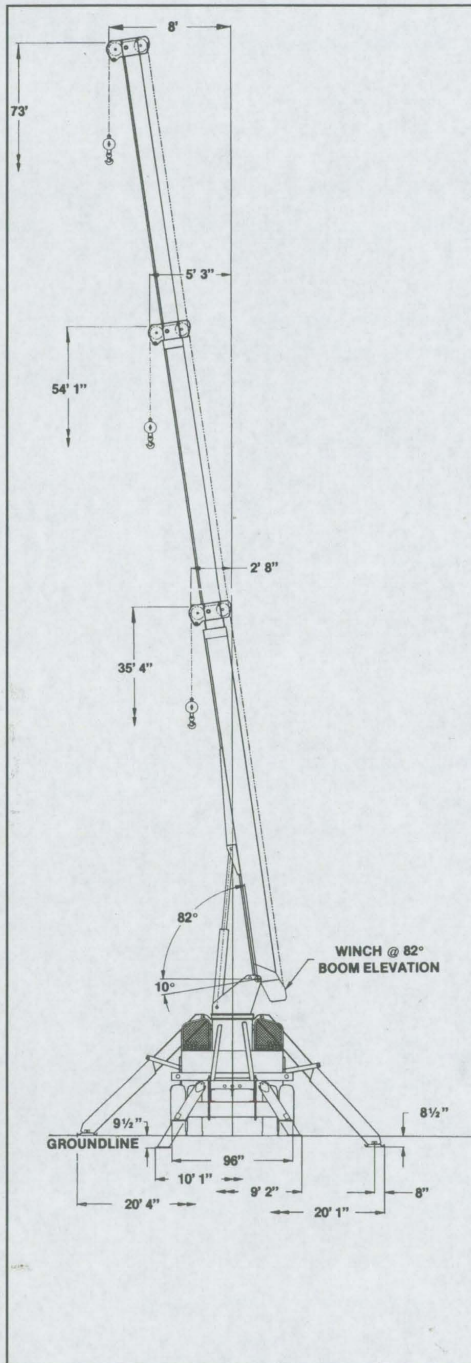


2400 Series

Dimensional Data:



Specifications Subject to Change.

STINGER 2463

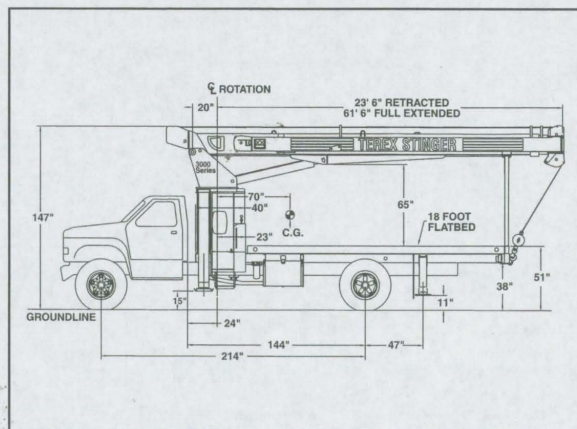
TC 2463:

- Maximum sheave height: 73' (22.2 m)
- Maximum lifting radius: 61'6" (18.7 m)
- Maximum sheave height with 40' (12.2 m) Jib: 113' (34.4 m)
- Maximum lifting capacity: 24,000 lbs. (10,844 kg)

TC 2463 Weights:

- Standard TC 2463 with 18' (5.5 m) Subframe13,950 lbs. (6,328 kg)
- Optional Wood Flatbed1,570 lbs. (712 kg)
- Optional Two-Stage Jib915 lbs. (415 kg)
- Minimum axle weights with crane installed on truck and in stowed configuration for 85% of tipping stability (without jib).
- Front Axle8,900 lbs. (4,037 kg)
- Rear Axle15,800 lbs. (7,167 kg)

Do Not Operate Within 10 Feet Of Overhead Power Lines.



©Copyright 2001 Terex Cranes Form #TC 2463

2400 Series

STINGER 2463

2463 Capacity and Range Chart:

LOAD RATINGS IN LBS. WITH OUTRIGGERS EXTENDED						AREA OF OPERATION	
DRUM RATING IN LBS.	LOADED BOOM ANGLE		BOOM LENGTH		3RD	3RD	300° FULL CAPACITY WORK AREA WITH OPTIONAL FRONT STABILIZER
	25 FT	35 FT	44 FT	53 FT			
5	76	24000					
6	69	16800	74	14200	78	14200	
10	64	14200	72	13400	76	13000	
12	58	12200	68	11500	73	11100	
15	49	10100	63	9525	69	9125	
20	32	7425	53	7325	62	7025	
25			42	5825	54	5525	
30			28	4425	45	4525	
36				3725	47	3625	
42					20	2825	
45						29	
50						14	
55							
60							

JIB CAPACITIES FOR ALL BOOM LENGTHS										
LOADED BOOM ANGLE	35°	40°	45°	50°	55°	60°	65°	70°	75°	80°
RETRACTED 24 FT JIB	700	825	1000	1150	1340	1600	1900	2300	3100	4160
EXTENDED 40 FT JIB	520	580	650	730	810	930	1080	1400	1810	2260

NOTE: Please consult the Terex Cranes full-line brochure for a complete listing of standard features and optional equipment.

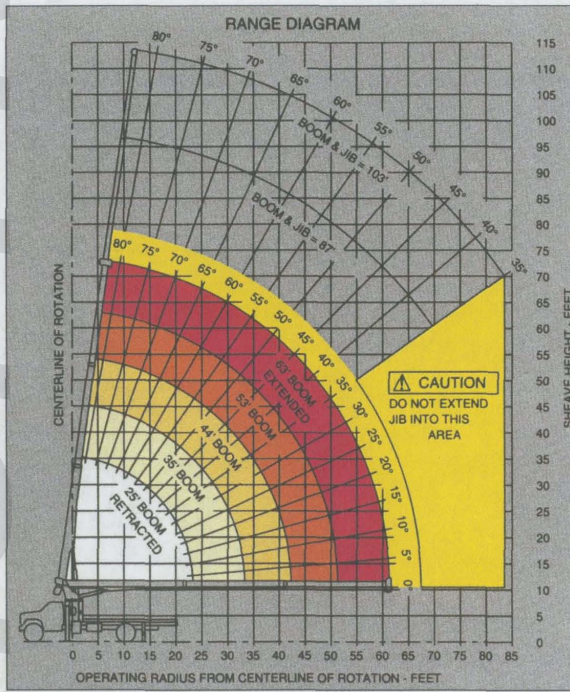
2463 Optional Mounting Configurations:

- Behind Cab (TC)
- Rear Mount (RM)
- Pedestal Mount (PM)

(Some standard features for the optional mounting configurations will vary. Please consult your Terex Cranes dealer or factory for chassis and mounting requirements.)

TC 2463 Minimum Chassis Requirements:

- Chassis specifications are minimum for truck-crane mount. Not applicable to optional mounting configurations.**
- Gross Vehicle Weight Rating 33,000 lbs. (14,968 kg)
 - Front Axle Weight Rating 12,000 lbs. (5,443 kg)
 - Rear Axle Weight Rating 21,000 lbs. (9,525 kg)
 - Wheelbase 214 in. (5,436 mm)
 - Cab to Axle 144 in. (3,658 mm)
 - Afterframe 75 in. (1,905 mm)
 - Transmission Heavy-Duty (Neutral lock-up required for automatic transmission)
 - Electrical System Heavy-Duty
 - Cooling System Heavy-Duty
 - Frame Section Modulus 15.9 in² (260 cm²)
 - RBM Per Frame Rail 1,400,000 in./lbs. (16,130 kg-m)



NOTE: Diagrams depict recommended mounting dimensions. The dimensions of optional pedestal and rear mounts will vary. Please consult your dealer or Terex Cranes for specifics. Dimensions do not include load deflection.

Rope and Reeving:

1 PART LINE	2 PART LINE	3 PART LINE	CAUTION OVERLOAD AND ANTI-TWO-BLOCK SYSTEMS MUST BE IN GOOD OPERATING CONDITION BEFORE OPERATING CRANE. REFER TO OWNER'S MANUAL. KEEP AT LEAST 3 WRAPS OF LOADLINE ON DRUM AT ALL TIMES. USE ONLY 3/16" DIAMETER CABLE WITH 33,600 LB. BREAKING STRENGTH ON THIS MACHINE.
LOADS UP TO 9,600 LBS. STD. CABLE 6,720 LBS. ROT. RESIST. CABLE	LOADS UP TO 19,200 LBS. STD. CABLE 13,440 LBS. ROT. RESIST. CABLE	LOADS UP TO 24,000 LBS. STD. CABLE 20,160 LBS. ROT. RESIST. CABLE	

©Copyright 2001 Terex Cranes Form #TC 2463
 550 Old Highway 56
 Olathe, KS 66061 (913) 782-1200



AVAILABLE AT:
GIUFFRE.COM

GIUFFRE BROS CRANES INC.

6635 SOUTH 13TH ST. - MILWAUKEE, WI 53221
 414-764-9200 • 877-321-3710