

# **MicroGuard® 500**

## **Rated Capacity Indicator/Limiter System**

### **System Installation Manual**

**Link-Belt RTC-8040**

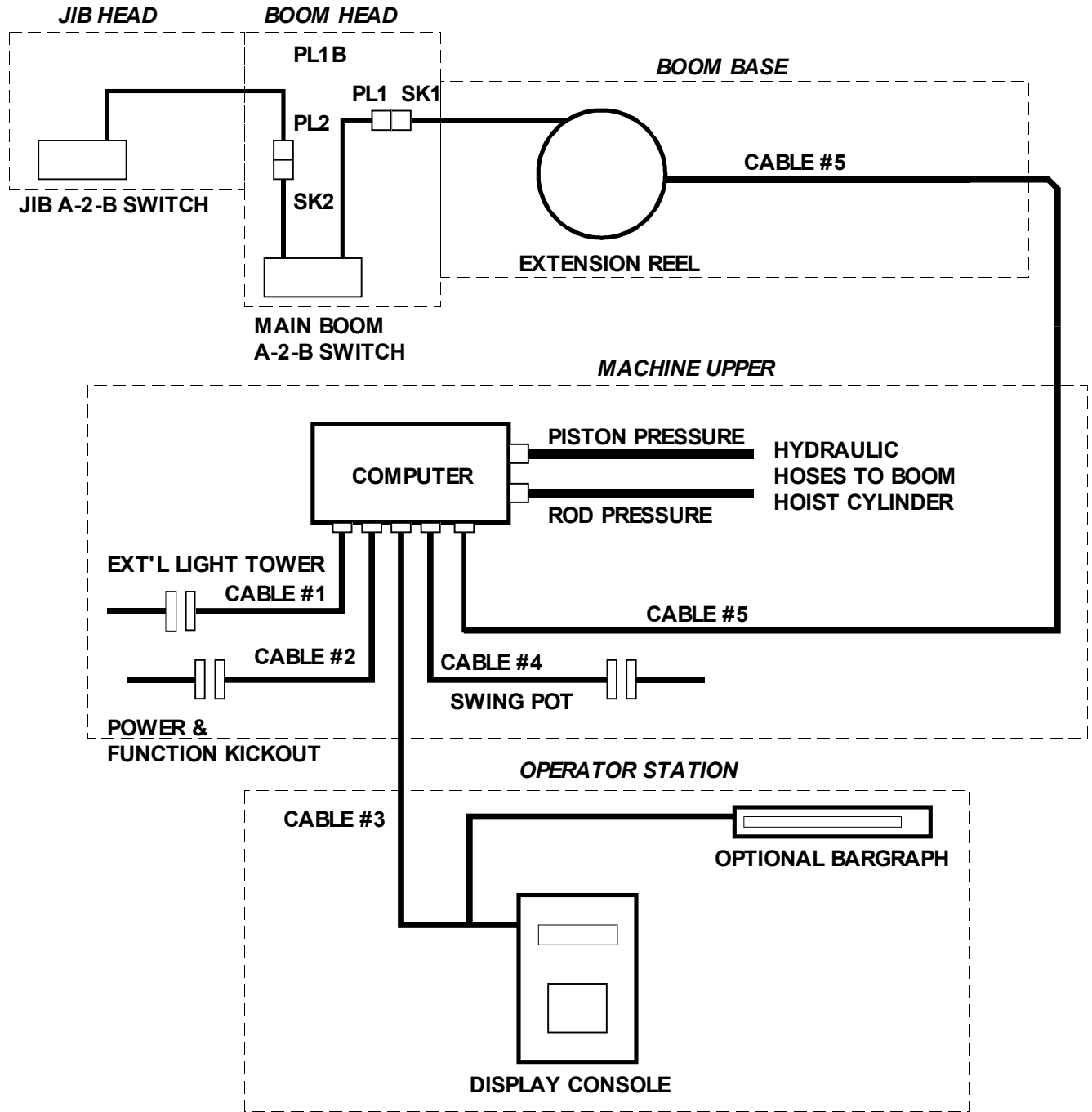
**Chart # F7xxxxxxx**



## SYSTEM PARTS LIST

<b>Part #</b>	<b>Description</b>	<b>Qty</b>
A450100	Display Console – MG434	1
A450620	Computer Unit – MG500	1
A240600-040	Extension Reel Unit (90ft)	1
A047322	Cable – Computer to Display	1
A241008	A-2-B Switch	1
A251001	A-2-B Weight	
Mxxxxxx	System Program/Capacity Chip	1

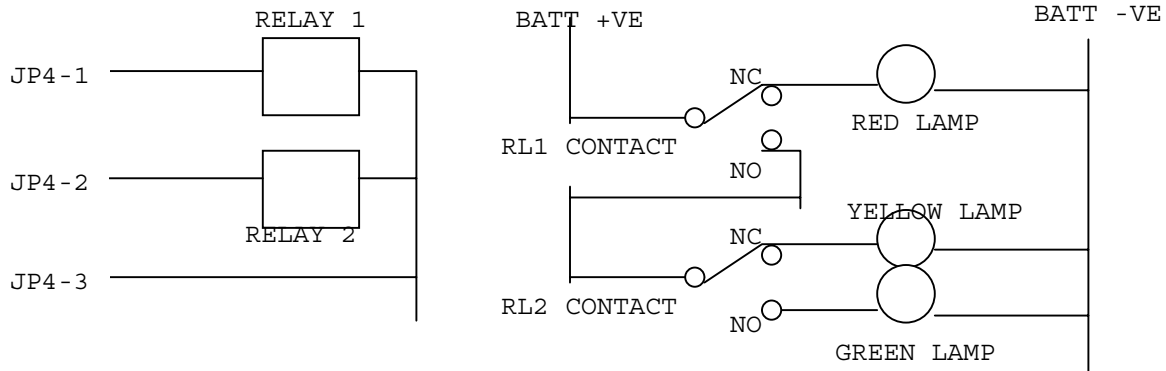
### SYSTEM SCHEMATIC



## CABLE SCHEDULE

### CABLE 1. External Light Tower to Computer

CABLE COLOR	FUNCTION	COMPUTER CONNECTION
WHITE	Light Tower Relay 1 Drive	JP4-1 (Lamp 0 Drive)
GREEN	Light Tower Relay 2 Drive	JP4-2 (Lamp 1 Drive)
RED	+Vp (Slave relay drive)	JP4-3 (+Vp)



*LIGHT TOWER SCHEMATIC*

### CABLE 2. Power/Function Kickout to Computer

CABLE COLOR	FUNCTION	COMPUTER CONNECTION
BLACK	System Ground	JP3-1 (BATTERY -VE)
	Not Used	JP3-2 (BATTERY +VE)
RED	System Power	JP3-3 (BATTERY +VE)
WHITE	Power feed to FKO Relays	JP4-1 (FKO FD)
GREEN	FKO Output to Machine solenoids	JP4-2 (FKO OUT)
BLUE	Boom Mode Output	JP4-3 (RLY3 NO)
	Not Used	JP4-4 (RLY3 NC)

**CABLE 3. Display Console to Computer**

<b>CABLE COLOR</b>	<b>FUNCTION</b>	<b>COMPUTER CONNECTION</b>
WHITE	Communication A	JP11-1 (DATA A)
GREEN	Communication B	JP11-2 (DATA B)
BLUE	System Reset	JP11-3 (DSPLY 1 RST)
RED	+ Power	JP11-4 (DSPLY 1 PWR)
BLACK	- Power	JP11-5 (DSPLY 1 GND)
	Not Used	JP11-6 (DSPLY 1 GND)

**CABLE 4. Swing Potentiometer to Computer**

<b>CABLE COLOR</b>	<b>FUNCTION</b>	<b>COMPUTER CONNECTION</b>
RED	Swing Pot Positive Drive	JP11-1 (Swing + Drive)
BLACK	Negative Drive	JP11-2 (Swing - Drive)
WHITE	Swing Pot Wiper 'A' Input	JP11-3 (Swing A)
GREEN	Swing Pot Wiper 'B' Input	JP11-4 (Swing B)

**CABLE 5. Extension Reeling Drum to Computer**

<b>CABLE COLOR</b>	<b>FUNCTION</b>	<b>COMPUTER CONNECTION</b>
WHITE	A-2-B switch feed	JP8-1 (A2B FD)
GREEN	Extension Sensor signal	JP8-2 (BM EXTN SIG)
BLUE	Angle Sensor signal	JP8-3 (BM ANG SIG)
BROWN	A-2-B switch signal	JP8-4 (A2B SIG)
RED	+ Sensor Drive	JP8-5 (BM SNSR +DR)
BLACK	- Sensor Drive	JP8-6 (BM SNSR -DR)