

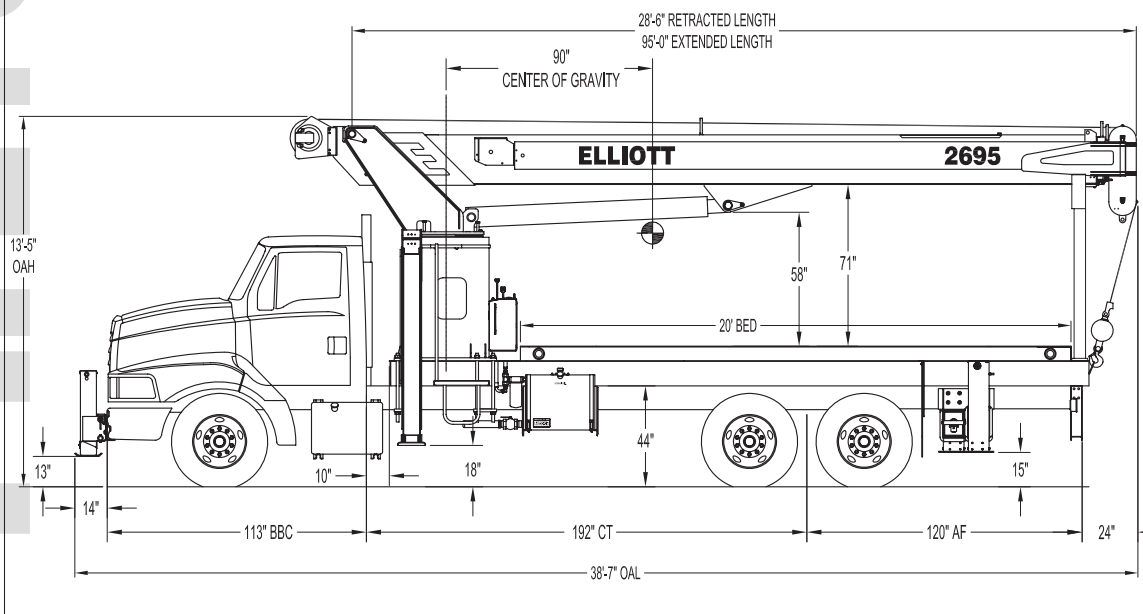
To learn more about this model, call 414-764-9200 or visit [giuffre.com](http://giuffre.com) today!

# BoomTruck™ 2695F

## TECHNICAL SPECIFICATIONS



2695F SIDE VIEW DIAGRAM



- |                                 |                                     |                                 |                       |
|---------------------------------|-------------------------------------|---------------------------------|-----------------------|
| • <b>Maximum Vertical Reach</b> | 152'/46,3 m                         | • <b>Powered Boom Sections</b>  | 4                     |
| • <b>Working Area</b>           | 180 Degrees Standard (360 Optional) | • <b>Overall Height</b>         | 13'5"/4,1 m           |
| • <b>Lifting Capacity</b>       | 52,000 lbs/23 587 kg                | • <b>Operator Controls</b>      | Dual Operator Standup |
| • <b>Boom Length</b>            | 95'/29 m                            | • <b>Outrigger Type Front</b>   | A-Frame               |
| • <b>Crane Weight (Dry)</b>     | 24,920 lbs/11 303 kg                | • <b>Outrigger Spread Front</b> | 20'10"/6,3 m          |
| • <b>Jib Length</b>             | 26', 26'-45'/ 8 m, 8-13,7 m         | • <b>Outrigger Type Rear</b>    | Out-Down              |
| • <b>Winch Bare Drum Pull</b>   | 12,800 lbs/5806 kg                  | • <b>Outrigger Spread Rear</b>  | 18'2"/5,5 m           |



Elliott Equipment Company Phone: 402-592-4500  
 4427 South 76th Circle Fax: 402-592-4553  
 Omaha, NE 68127 Email: [sales@elliottequip.com](mailto:sales@elliottequip.com)

**Built for You.**  
[www.elliottequip.com](http://www.elliottequip.com)



AVAILABLE AT:

**GIUFFRE.COM**

GIUFFRE BROS CRANES INC.

6635 SOUTH 13TH ST. - MILWAUKEE, WI 53221  
 414-764-9200 • 877-321-3710

To learn more about this model, call 414-764-9200 or visit [giuffre.com](http://giuffre.com) today!

## BOOMTRUCK - 2695F

## TECHNICAL SPECIFICATIONS

### TECHNICAL SPECIFICATIONS

**Crane Capacity:** 52,000 lbs at 5' load radius.

**Maximum Tip Height:** 107' height (152' with optional 45' jib)

**Control Console:** Dual operator standup control stations equipped with four single axis control levers for the main crane controls. Operator station includes LMI display, bubble level gauge, engine start/stop switch, signal horn button, variable speed throttle switch, lifting capacity chart, range diagram chart, boom angle indicator, system pressure gauge, 12V DC power source, and cup holder. Outrigger lever controls at control consoles.

**Boom:** Four-section fully proportional, high strength steel plated rectangular tube sections. A maximum boom tip height of 107' mounted on a truck. The boom nose contains one floating upper sheave and three lower sheaves. Assembly includes heavy-duty cylinder fittings, pivot pins, and replaceable wear pads.

**Winch:** Mounted at the base of the boom for a long fleet angle and flat level spooling of cable. Winch is driven by a planetary reducer and powered by a hydraulic motor. Burst-of-speed winch provides increased line speed. The winch brake is spring applied, pressure release design. Supplied with 425' of 9/16" diameter rotation resistant wire rope with a single line pull of 9,060 pounds, and a downhaul ball with swivel hook for single part line.

**Load Moment Indicator System:** System senses hoist cylinder pressures, boom length and boom angle with hydraulic function lockout. The display console is equipped with a bar graph showing crane utilization, boom angle or boom length, a mode select controls for main boom and jib operation, and an anti-two block with an audio/visual warning and shut-off functions to limit hook-boom point contact.

**Outriggers:** One sets of "A" Frame main outriggers with 20'10" span, and one set of out and down underslung auxiliary outriggers with 18'2" span.

**Frame:** Full length, all welded rigid 4-plate design sub-frame. Sub-frame allows for bolt-on addition of 20' bed.

**Turret:** Reverse offset turret is one-piece weldment. Turret rotates on large diameter ball bearing.

**Rotation:** Hydraulic motor drives turret through double reduction planetary swing drive for 372-degree non-continuous rotation. The swing drive system has a spring applied, pressure release brake.

**Lift:** One double-acting long stroke cylinder provides smooth and stable boom elevation. Holding valve prevents boom from falling in event of hose failure.

**Boom Extension:** Incorporates a 2-stage hydraulic extension cylinder, attached to the largest boom section, with a proportional cable extension system driving the outermost sections.

**Hoses:** All high pressure hoses are wire braid reinforced with a minimum safety factor of 4 to 1.

**Cylinders:** All cylinders use microhoned cylinder tubing, chrome shafts, top grade packing and protective rod wipers. Cylinder-mounted holding valves provided on all load-holding cylinders.

**Hydraulic System:** Equipped with cable-shift PTO, gear pump, SAE O-ring face seals on pressure lines, and a 10-micron return line filter. The control valve distributes all flow to hoist system, swing circuit, and other crane functions. System is open center type.

**Oil Tank Capacity:** 120 gallon mounted to truck frame on roadside.

**Cab Equipment:** PTO cable with indicator lights installed in truck cab. U/L approved 5:BC dry chemical fire extinguisher installed in truck cab.

**Operators Manual & Video:** Two CD copies and one hard copy of operation, maintenance, safety and parts manual provided with each unit. Operational and safety video provided at delivery.

**Installation:** Unit installed on chassis, painted, system and tank filled with oil, tested, inspected, and ready to operate.

**Standard Paint:** Paint turret and boom white, outriggers red, and bed and boxes black.

**Bumper:** Bureau of Motor Carrier Safety rear bumper.

**Weight:** Approximately 24,920 lbs. with 20' steel-floor bed less truck.

**Truck Chassis Required:** Approx. 192" C.A. RBM 1,749,000 in-lb. per rail, 20,000 lb. front axle and 40,000 lb. GVWR required. Trucks must have front frame extension, 12V electrical system with high capacity alternator, cab clearance stop/tail/backup lights, and I.D. lamps. Recommended GVWR is minimum for BOOMTRUCK with flatbed only. Contact factory when additional equipment is to be added.

### Options:

26'-45' Telescopic Pin-on Jib.

Radio Remote Controls.

Superlink Shortjack Outriggers.

Gravity Leveled Steel Work Platform.

Front Jack for 360 Degree Area of Operation.

Hydraulic Tool Circuits on Bed.

Much More...

Elliott Equipment Company reserves the right to change the specification of any unit at any time without prior notice. This brochure is only a statement of general specifications on the date of this publication. For more detailed info on specific Elliott trucks go to [www.elliottequip.com](http://www.elliottequip.com)



Elliott Equipment Company  
4427 South 76th Circle  
Omaha, NE 68127  
Phone: 402-592-4500  
Fax: 402-592-4553  
Email: [sales@elliottequip.com](mailto:sales@elliottequip.com)

**Built for You.**  
[www.elliottequip.com](http://www.elliottequip.com)



AVAILABLE AT:

**GIUFFRE.COM**

GIUFFRE BROS CRANES INC.

6635 SOUTH 13TH ST. - MILWAUKEE, WI 53221  
414-764-9200 • 877-321-3710

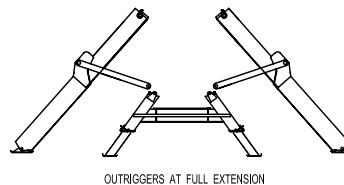
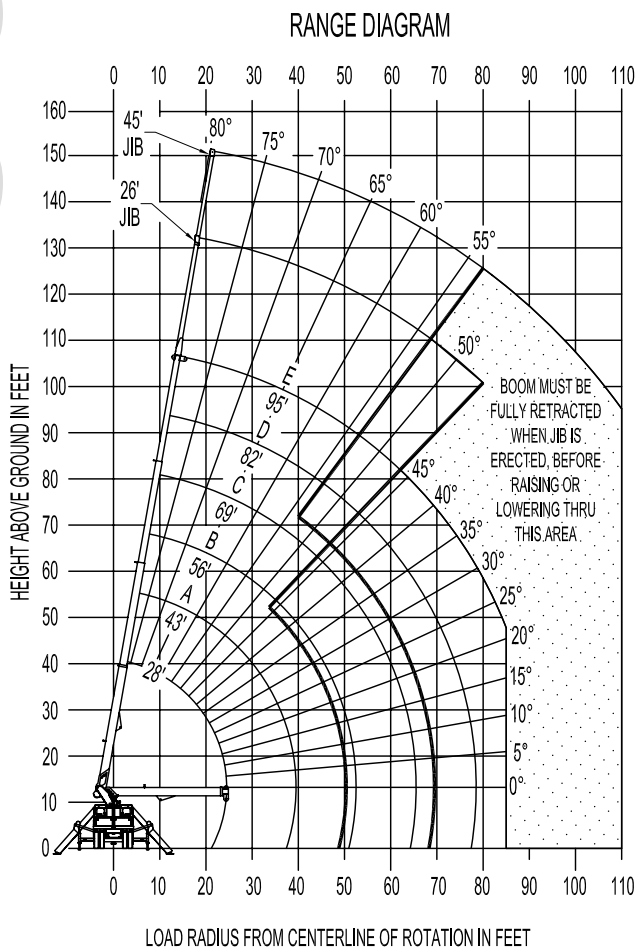


To learn more about this model, call 414-764-9200 or visit [giuffre.com](http://giuffre.com) today!

**BOOMTRUCK - 2695F**

**TECHNICAL SPECIFICATIONS**

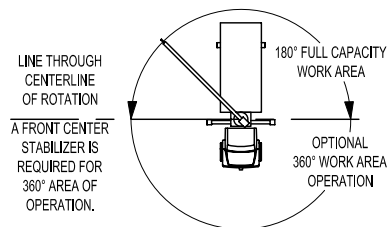
**RANGE CHART - MAIN BOOM + JIB, FULL-SPAN OUTRIGGERS**



**NOTE:**

1. OPERATE JIB BY RADIUS WHEN MAIN BOOM IS FULLY EXTENDED. INCREASE BOOM ANGLE IF NECESSARY TO MAINTAIN LOAD RADIUS.
2. WHEN BOOM IS RETRACTED, OPERATE JIB BY BOOM ANGLE. DO NOT EXCEED ANY RATED JIB CAPACITIES AT REDUCED BOOM LENGTHS.
3. CAPACITIES DO NOT EXCEED 85% STABILITY.
4. PERSONNEL HANDLING IS ALLOWED ONLY WITH FULL SPAN OUTRIGGERS.
5. LOAD RATINGS ABOVE BOLD LINE ARE STRUCTURALLY LIMITED.
6. BOOM LOAD RATINGS ARE BASED ON LOADED BOOM RADIUS.
7. LOADED BOOM ANGLES ARE GIVEN AS A REFERENCE ONLY.

**AREA OF OPERATION**



Elliott Equipment Company Phone: 402-592-4500  
 4427 South 76th Circle Fax: 402-592-4553  
 Omaha, NE 68127 Email: sales@elliottequip.com

**Built for You.**  
[www.elliottequip.com](http://www.elliottequip.com)



AVAILABLE AT:

**GIUFFRE.COM**

**GIUFFRE BROS CRANES INC.**

6635 SOUTH 13TH ST. - MILWAUKEE, WI 53221  
 414-764-9200 • 877-321-3710

To learn more about this model, call 414-764-9200 or visit [giuffre.com](http://giuffre.com) today!

## BOOMTRUCK - 2695F

## TECHNICAL SPECIFICATIONS

### CHASSIS SPECIFICATIONS

	2695F BoomTruck
Wheelbase (WB)	256" / 650 cm
Cab to Axle (CA)	192" / 488 cm
Cab to End of Frame (EOF)	316" / 803 cm
Frame Section Modulus	15.9 in3-110,000 psi / 758,428 kPa
Front Axle Gross Weight Rating	20,000 lb / 9072 kg
Rear Axle Gross Weight Rating	40,000 lb / 18 144 kg
Integral Front Frame Rails	Required for Front Stabilizer

Chassis data is minimum general requirements-not for engineering.  
Actual dimensions and truck data will depend on truck selection and axle configuration.  
\*Minimum chassis weight is required to meet 85% stability requirements.

### OPTIONS



#### Radio Remote Control

Interference protected radio remotes let you get closer to your work and have full control over your machine. Includes battery charging feature and optional LMI screen.



#### Pin-On Jib Attachments

One piece & two piece telescoping or fixed jibs that stow on the side of the boom for easy placement while on the worksite.



#### Continuous Boom Rotation

Add the convenience of 360 degree continuous rotation by adding a special boom rotation system for rotating without stops.



#### Digger / Auger Attachment

Dig faster and deeper with Elliott's auger attachment, offering 41' of digging range and a hydraulically powered auger that stows on the boom.



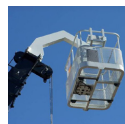
#### Tool Boxes

Optional tool boxes and bed storage can accommodate any storage need for tools, work materials and more.



#### Hook Block for Multi-Part Line

Elliott can install a 2-3 part hook block or a 4 part-hook block to improve lifting capabilities. The block can be stored at the rear of the bed.



#### Gravity Levelled Basket

Elliott's pin-on work platform pins onto the boom for easy installation and removal. Gravity leveling and mechanical rotation makes it a great accessory for any worksite.



#### Body Mounted Hose Reels and Circuits

Let us work with you to customize your tool compatibility by adding hose reels or hydraulic circuits to the crane bed.



Elliott Equipment Company Phone: 402-592-4500  
4427 South 76th Circle Fax: 402-592-4553  
Omaha, NE 68127 Email: [sales@elliottequip.com](mailto:sales@elliottequip.com)

**Built for You.**  
[www.elliottequip.com](http://www.elliottequip.com)



AVAILABLE AT:

**GIUFFRE.COM**

GIUFFRE BROS CRANES INC.

6635 SOUTH 13TH ST. - MILWAUKEE, WI 53221  
414-764-9200 • 877-321-3710