

To learn more about this model, call 414-764-9200 or visit [giuffre.com](http://giuffre.com) today!

**Manitex**



**CD110**

**11-ton (9,97 mt) CARRY DECK CRANE  
PRODUCT GUIDE**



AVAILABLE AT:

**GIUFFRE.COM**

GIUFFRE BROS CRANES INC.

6635 SOUTH 13TH ST. - MILWAUKEE, WI 53221  
414-764-9200 • 877-321-3710

To learn more about this model, call 414-764-9200 or visit [giuffre.com](http://giuffre.com) today!

CD110 CARRY DECK CRANE

## CONTENTS

Crane Features .....	4
Boom Diagram .....	5
Crane Weight .....	5
Load Chart: Main Boom & Jib .....	6
Area of Operation .....	7
Crane Dimensions .....	8
Technical Descriptions .....	9-10
Options .....	11

Effective Date: July 13, 2018

This document is non-contractual. This document is supplied for reference use only. We are constantly making improvements to our products and reserve the right that specification, equipment, and prices are all subject to change without notice or obligation.

The photographs, and /or images in this document are for illustrative purposes only and may include optional equipment and accessories and may not include all standard equipment.

Refer to the appropriate Operator's Manual and Load Charts for instructions on the proper use of this equipment to determine allowable crane lifting capacities, assembly and operating procedures.

Failure to follow the appropriate operator's manual or load chart(s) when using our equipment or to otherwise act irresponsibly may result in serious injury or death.

The only warranty applicable to our equipment is the standard written warranty applicable to the particular product and sale. Manitex makes no other warranty, expressed or implied.

Products and services listed may be trademarks, service marks or trade-names of Manitex International and /or its subsidiaries in the USA and other countries.

All rights are reserved. Manitex® is a registered trademark of Manitex International, Inc. in the USA and many other countries.

Copyright 2014 Manitex Inc. Manitex Inc, Georgetown Texas, 78626





















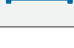












AVAILABLE AT:

**GIUFFRE.COM**

GIUFFRE BROS CRANES INC.

6635 SOUTH 13TH ST. - MILWAUKEE, WI 53221  
414-764-9200 • 877-321-3710

## KEY

	Engine		Mechanical transmission
	Steering		Tires
	Gross vehicle weight		Hydraulics
	Weight on rear axle		Weight on front axle
	Standard (without hook block)		Lifting on wheels / Pick & Carry
	Operator aids		Maximum gradeability
	Operator's station		Hook block
	Heating / Air conditioning		Hook and ball
	Controls		Boom elevation angle
	Hoist speed		Max. boom length with extension
	1 - Main hoist 2 - Auxiliary winch 3 - Recovery winch		Boom with extension retracted
	Rope length		Telescoping mode
	Rope - standard/optional		Working radius
	Rope diameter		Boom length
	Maximum line pull		Hydraulic actuated boom
	Slewing / Allowable slewing range		Full power mechanical synchronized
	Slewing gears		Tip height
	Slewing brake		Lights
	Outriggers / Lifting on outriggers		Electrical system
	Frame		Maximum speed

To learn more about this model, call 414-764-9200 or visit [giuffre.com](http://giuffre.com) today!

CD110 CARRY DECK CRANE



## THE CD110 CARRY DECK CRANE

### Tight space? No problem!

The Manitex CD110 is our new industrial crane designed to lift loads that can't easily be reached by a traditional crane or forklift. The 11-ton, cab-down crane maneuvers smoothly through cramped machine shops or shipyards and, with its unique outrigger system, can be positioned close to the load. It offers:

- Multiple steering modes (2 Wheel, Crab, Coordinated)
- Powershift transmission with 4 forward - 3 reverse speeds
- Maximum travel speed of 17.9 mph (28.8 kph)

### Other features include:

- Rated capacity: 11-ton (9,8 mt) at 5 ft. (1,5 m) working radius
- Max. boom length: 35 ft. (10,7 m)
- Max. tip height: 53 ft. (16,2 m)
- Load Indicator System

### OUTRIGGERS

Lift confidently. Out-and-down outriggers extend adding stability, letting you inch closer to the load.



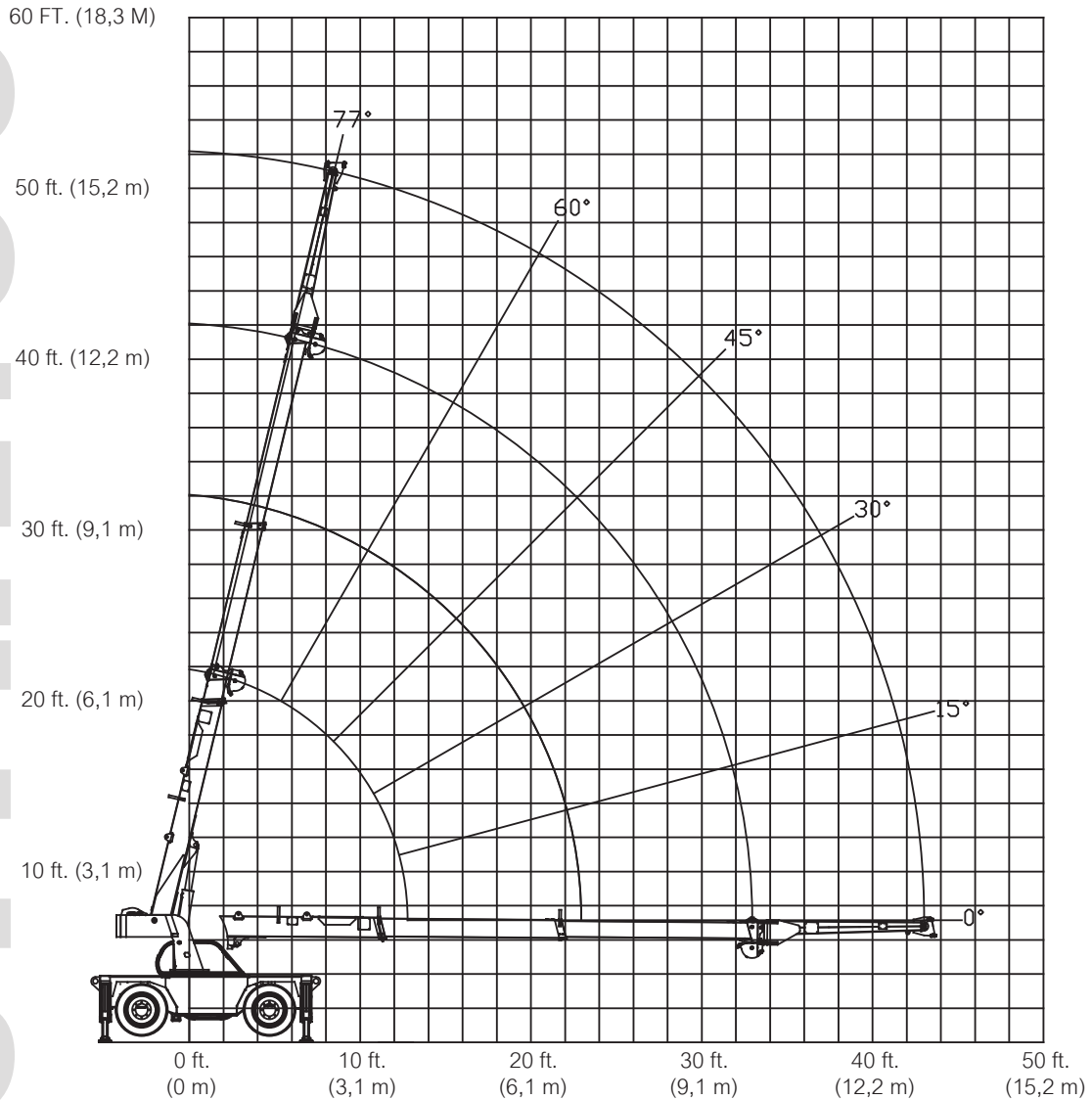
### OPERATOR AIDS

Work smarter. Greer's Insight LMI system allows the operator quick access to critical data in high-resolution VGA graphics.



## BOOM DIAGRAM

Imperial & Metric Units



## CRANE WEIGHT

Standard (without hook block): 16,535 lbs. (7,500 kg)

Data published herein is intended as a guide only. Crane operation is subject to the computer charts and operation manual supplied with the crane.

CD110 CARRY DECK CRANE


# LOAD CHART: Main Boom & Jib

Lifting Capacities 3 Section Boom 11.6 ft. - 35 ft.  
9.9 ft. (3 m) Fixed Jib

 11.3 ft. (3.5 m) (100%)

 360° Continuous

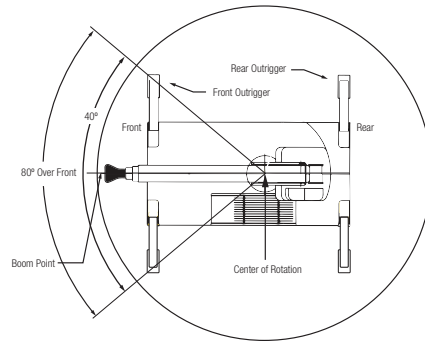
CAPACITIES APPLY TO OPERATION ON FIRM LEVEL SURFACES

	On Outriggers		On Rubber Static		On Rubber - 2.5 mph	On Retracted Outriggers
	360° Rotation	40° Front	360° Rotation	6° Front	Front	360° Rotation
	Lbs.	Lbs.	Lbs.	Lbs.	Lbs.	Lbs.
ft.	Max. 69° Min 12°	Max. 69° Min 12°	Max. 69° Min 12°	Max. 69° Min 12°	Max. 69° Min 12°	Max. 69° Min 12°
5	22,000	22,000	11,940	16,700	15,520	13,570
6	16,990	16,990	10,300	14,450	13,430	11,820
8	13,890	13,890	6,660	11,140	10,350	8,960
10	11,500	11,500	4,410	8,590	7,970	6,780
12	9,330	9,620	3,160	6,050	5,940	4,890
14	6,940	7,900	2,340	4,610	4,540	3,820
16	5,610	7,100	1,890	3,600	3,550	3,000
18	4,700	6,330	1,550	2,900	2,860	2,300
20	3,880	5,470	1,210	2,290	2,260	1,770
22	3,370	4,640	980	2,000	1,980	1,370
23	3,190	3,870	650	1,590	1,570	1,270
25	2,870	3,180		1,390	1,370	1,100
27	2,590	2,880		1,230	1,220	960
29	2,360	2,630		1,090	1,080	830
31	2,150	2,400		960	950	730
32	2,060	2,300		910	900	680
<b>MAIN BOOM</b>						
13	8,040	8,040	<b>ON TIRES</b>			
14	7,200	8,040	<ul style="list-style-type: none"> <li>The tabulated loads are the maximum loads covered by the manufacturer's guarantees. The rated loads never exceed 75% of the tipping load. They are given in pounds and include the weight of hook blocks and other hoisting equipment. Their weight must be subtracted from the listed rated lifting capacity to obtain the net load that can be lifted (also see page 7 for rated load deductions).</li> <li>Crane lifting capacities require lifting from main boom head only on a smooth and level surface.</li> <li>Crane lifting capacities on tires depend on tire capacity, condition of the tires and tire air pressure. Tires must be inflated to the recommended pressure before lifting (see operator's manual). The recommended pressures are indicated either in the cab or next to the wheels. When handling loads in the structural range with capacities close to maximum ratings, travel should be limited to "creep speed." 2.5 mph capacities are permissible on main boom only, NOT on boom extension.</li> <li>For pick and carry operations, the boom must be centered over the front of the machine, the mechanical swing lock engaged and the load must be restrained from swing.</li> <li>Do not travel with boom extension erected. Creep: motion less than 200 feet in a 30 minute period and not exceeding 1 mph.</li> </ul>			
16	5,820	7,510	<b>ON OUTRIGGERS</b>			
18	4,970	6,560	<ul style="list-style-type: none"> <li>The tabulated loads are the maximum loads covered by the manufacturer's guarantees. Rated loads for retracted outrigger chart never exceeds 80%. They are given in pounds and include the weight of hook blocks and other hoisting equipment. Their weight must be subtracted from the listed rated lifting capacity to obtain the net load that can be lifted (Also see page 7 for rated load deductions).</li> <li>The tires shall be raised clear of the ground and free of crane weight before operating boom or lifting loads.</li> <li>All outrigger beams must be extended to the same length; fully extended.</li> <li>The crane should be raised and positioned horizontally on outriggers.</li> <li>Operating at outrigger positions other than the above is neither intended nor approved.</li> </ul>			
20	4,020	5,500				
22	3,490	4,650				
24	2,960	4,020				
26	2,540	3,380				
28	2,220	3,070				
30	2,010	2,640				
32	1,800	2,320				
34	1,640	2,140				
36	1,490	1,960				
38	1,350	1,790				
40	1,220	1,640				
42	1,100	1,510				
<b>MAIN BOOM + JIB</b>						

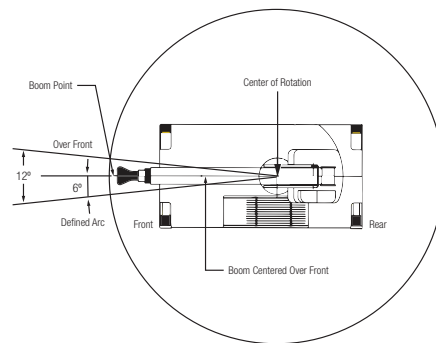
Data published herein is intended as a guide only. Crane operation is subject to the computer charts and operation manual supplied with the crane.

## AREA OF OPERATION

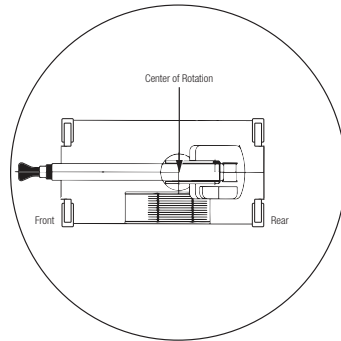
### On Outriggers



### On Tires



### Outrigger retracted 360°



### Deductions from rated loads for load handling devices supplied by Manitex

Downhaul weight & swivel hook (use with single part line)	110 lbs. (49.9 kg)
Sheave block	145 lbs. (65.7 kg)
9.9 ft. (3 m) extension	432 lbs. (195.9 kg)

**WARNING:** Lifting off the main boom point while the jib is erected is not intended or approved.

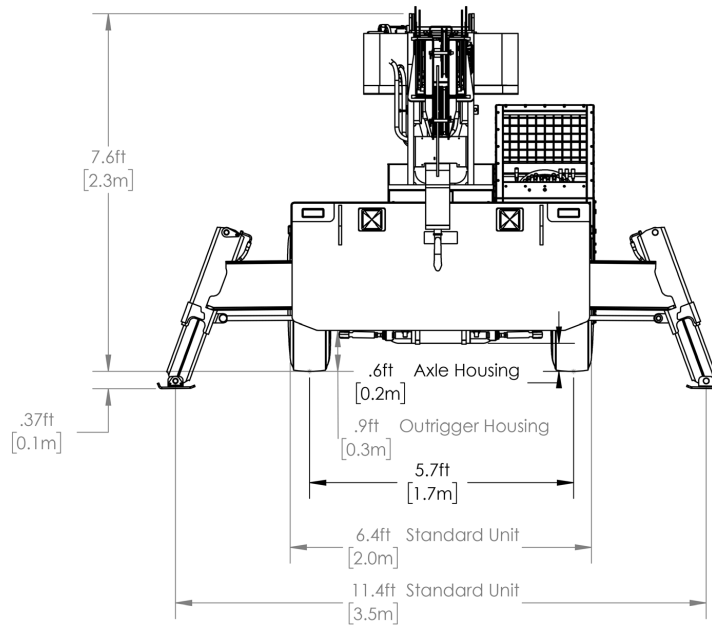
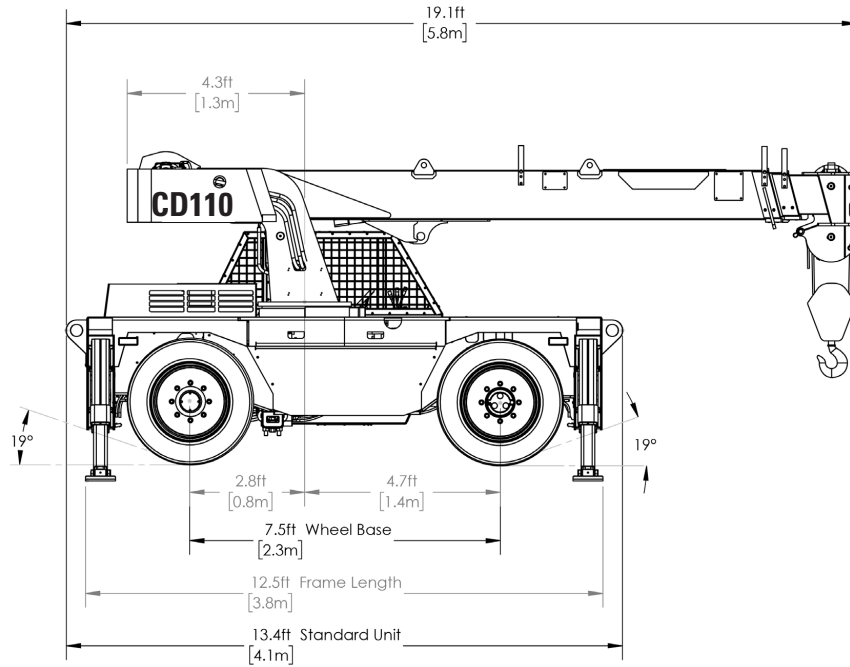
Data published herein is intended as a guide only. Crane operation is subject to the computer charts and operation manual supplied with the crane.

To learn more about this model, call 414-764-9200 or visit [giuffre.com](http://giuffre.com) today!

CD110 CARRY DECK CRANE

## CRANE DIMENSIONS

Imperial & Metric Units



Data published herein is intended as a guide only. Crane operation is subject to the computer charts and operation manual supplied with the crane.

8



AVAILABLE AT:

**GIUFFRE.COM**

GIUFFRE BROS CRANES INC.

6635 SOUTH 13TH ST. - MILWAUKEE, WI 53221  
414-764-9200 • 877-321-3710

## KEY

Line length: 3-section boom: 120 ft. (36,5 m)

	Engine
	Steering
	Gross vehicle weight
	Weight on rear axle
	Standard (without hook block)
	Operator aids
	Operator's station
	Heating / Air conditioning
	Controls
	Hoist speed
	1 - Main hoist 2 - Auxiliary winch 3 - Recovery winch
	Rope length
	Rope - standard/optional
	Rope diameter
	Maximum line pull
	Slewing / Allowable slewing range
	Slewing gears
	Slewing brake
	Outriggers / Lifting on outriggers
	Frame

	Mechanical transmission
	Tires
	Hydraulics
	Weight on front axle
	Lifting on wheels / Pick & Carry
	Maximum gradeability
	Hook block
	Hook and ball
	Boom elevation angle
	Max. boom length with extension
	Boom with extension retracted
	Telescoping mode
	Working radius
	Boom length
	Hydraulic actuated boom
	Full power mechanical synchronized
	Tip height
	Lights
	Electrical system
	Maximum speed

CD110 CARRY DECK CRANE

## TECHNICAL DESCRIPTIONS

### Control System



Includes all crane functions and driving controls

### Operator's Station



Frame mounted non-vibrating open style operator's control station

Standard features:

- Weather resistant seat
- Hour meter

Dash panel includes:

- Engine water temperature gauge
- Fuel gauge
- Tachometer, Check engine light, Engine Stop Light, Outrigger position indicator, wheels centered indicator

### Hydraulics



Winch section 24 gpm, Auxiliary section 16 gpm @ 2500 rpm.

Hydraulic oil reservoir capacity: 50 gal. (189 L)

Maximum system operation pressure: 2250 psi

Return line filter with full flow by-pass protection and service indicator

### Operator aids



Graphic interface for load indicator

Load Moment Indicator (LMI)

Anti-Two Block Device (ATB)

Rated Capacity Limiter (RCL)

### Engine



Cummins® QSF 2.8L Tier IV Final

Rated power: 65 hp (48.5 kW) @ 2500 rpm

Fuel type: Diesel

Fuel tank capacity: 16 gal. (60.6 L)

### Drive-line



DANA syncromesh 4-speeds forward and 3 reverse with electrical steer model 1102FT12410

### Steering



2-wheel, 4-wheel and crab steer with manual alignment

4x2-Front axle drive with planetary hubs and limited slip differential

Front: DANA 212 planetary steer with internal multi-wet-disc brakes and limited slip differential

Rear: Fabricated non-drive steer with disc brakes

### Frame



High strength alloy steel constructed with integral outrigger housings: front and rear lifting, towing, and tie-down lugs.

Carry decks:

- Front: 23.2 ft<sup>2</sup> (2,2 m) with 6,620 lbs. (3,003 kg) carrying capacity
- Side right: 21.8 ft<sup>2</sup> (2 m) with 2,200 lbs. (998 kg) carrying capacity

Deck includes adhesive anti-skid treatment.





To learn more about this model, call 414-764-9200 or visit [giuffre.com](http://giuffre.com) today!

**Manitex**



# CD110

11-ton (9,97 mt) CARRY DECK CRANE  
PRODUCT GUIDE

**UPTIME**

UPTIME is the Manitex commitment to complete support of thousands of units working every day.

**MANITEX**  
3000 South Austin Avenue  
Georgetown, Texas 78626  
1-877-314-3390 | [www.Manitex.com](http://www.Manitex.com)

MTX-CD110-PC-EN-V2-0718



AVAILABLE AT:

**GIUFFRE.COM**

GIUFFRE BROS CRANES INC.

6635 SOUTH 13TH ST. - MILWAUKEE, WI 53221  
414-764-9200 • 877-321-3710